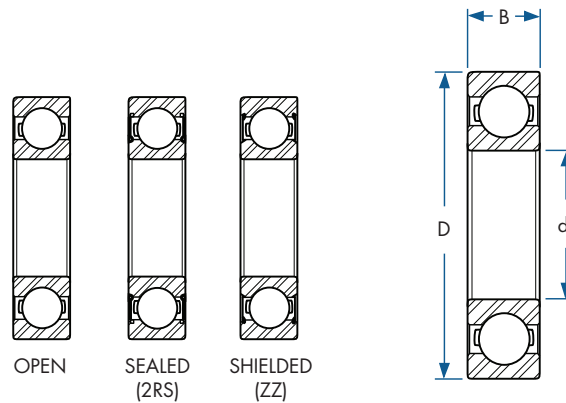


60/62/6300 series w/ non-standard bores



Bearing Number	Dimensions (mm)			Load Rating (lbf)		Limiting Speed (RPM)		
				Dynamic	Static	Grease		Oil
	d	D	B	Cr	Cor	2RS	ZZ/OPEN	OPEN
60/22	22	44	12	2,110	1,150	9,500	16,500	20,000
60/28	28	52	12	2,800	1,660	8,000	14,000	16,000
60/32	32	58	13	3,400	2,060	7,000	11,500	14,000
62/22	22	50	14	2,900	1,550	9,250	13,500	16,500
62/28	28	58	16	4,000	2,200	7,700	12,000	14,000
62/32	32	65	17	4,650	2,600	6,800	10,500	12,000
63/22	22	56	16	6,000	3,150	8,700	12,700	14,500
63/28	28	68	18	6,700	3,750	7,000	10,500	12,500

Bearing Number	Dimensions			Load Rating (lbf)		Limiting Speed (RPM)		
	(inch)	(mm)		Dynamic	Static	Grease		Oil
	d	D	B	Cr	Cor	2RS	ZZ/OPEN	OPEN
6201 1/2	0.500	32	10	1,530	690	15,000	22,000	27,000
6202 1/2	0.500	35	11	1,720	850	13,000	20,000	24,000
6203 1/2	0.500	40	12	2,150	1,080	12,000	17,000	21,000
6202 5/8	0.625	35	11	1,720	850	13,000	20,000	24,000
6203 5/8	0.625	40	12	2,150	1,080	12,000	17,000	21,000
6203 3/4	0.750	40	12	2,150	1,080	12,000	17,000	21,000
6204 3/4	0.750	47	14	2,880	1,500	9,700	15,000	17,000
6204 7/8	0.875	47	14	2,880	1,500	9,700	15,000	17,000
6205 1	1.000	52	15	3,150	1,770	8,400	13,000	15,000